

MODELS TH-14 and TH-16

SPECIFICATIONS

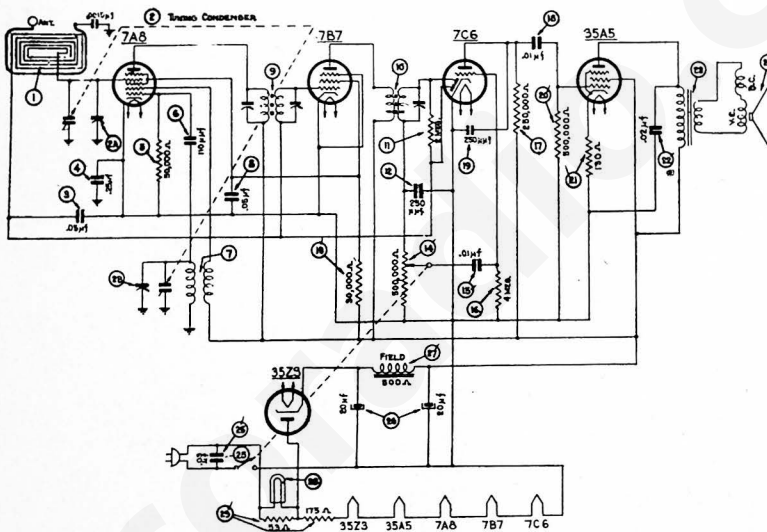
Models TH-14 and TH-16 are five tube, superheterodyne radios covering a frequency range from 540 to 1580 K. C. A loop aerial is provided on the rear of the cabinet for portable use in addition to external aerial connections on the rear of the cabinet for locations such as steel reinforced buildings, apartment houses and other locations where signal strength is weak. If an outside aerial is necessary, the Philco Utility Aerial, Part No. 40-6384, is recommended. These models are similar with the exception of the cabinets.

INTERMEDIATE FREQUENCY: 455 K. C.

POWER SUPPLY: Operates on either a 115 volt alternating current (A. C.) or 115 volt direct current (D. C.) power supply.

PHILCO TUBES USED: One 7A8, converter; one 7B7, I. F. amplifier; one 7C6, 2nd detector, 1st audio, A. V. C.; one 35A5, audio output and one 35Z3, rectifier.

ALIGNING PROCEDURE: The aligning procedure for these models will be found on page 8.



REPLACEMENT PARTS

SCHE. No.	DESCRIPTION	PART No.	SCHE. No.	DESCRIPTION	PART No.	SCHE. No.	DESCRIPTION	PART No.
1	Loop Antenna Assembly	32-3179		(for Speaker 36-1469-2)	32-8044		Dial Window	27-5541
2	Tuning Condenser	31-2369		(for Speaker 36-1469-9)	32-8044		Dial Window (TH-16)	27-5472
3	Tubular Condenser (.05 mf., 200 v.)	30-4519S	24	Speaker	36-1469		Drive Drum (Dial)	28-6662
4	Tubular Condenser (.25 mf., 400 v.)	30-4604S		Cone Assembly			Drive Cord	31-2358
5	Resistor (50,000 ohms, 1/3 watt)	33-350244		(for Speaker 36-1469-1)	36-4115		Drive Shaft (Dial) TH-16	31-2355
6	Mica Condenser (110 mmf.)	30-1031		(for Speaker 36-1469-2)	36-4132		Drive Shaft (Dial) TH-14	31-2370
7	Oscillator Transformer	32-3182		(for Speaker 36-1469-9)	36-4113		Grille and Baffle (TH-16)	318-1120
8	Tubular Condenser (.05 mf., 200 v.)	30-4519S	25	Tubular Condenser (.03 mf., 400 v.)	30-4449S		Grille and Baffle (TH-14)	40-6456
9	1st I. F. Transformer	32-3177	26	Electrolytic Condenser			Handle (Cabinet TH-14)	45-6051
10	2nd I. F. Transformer	32-3178		(20—20 mf., 150 v.)	30-2382		Handle (Cabinet TH-16)	45-6052
11	Resistor (2 megs., 1/3 watt)	33-520244	27	Field Coil—Part of Speaker No.	36-1469		Knob (Tuning, Volume)	27-4809
12	Mica Condenser (250 mmf.)	30-1032	28	Pilot Lamp	34-2068		Pointer (Dial)	56-1326
13	Resistor (30,000 ohms, 1/3 watt)	33-330244	29	Line Resistor	33-3387		Snap Fastener	56-1387
14	Volume Control (500,000 ohms)	33-5306					Spring (Drive Cord)	28-8751
15	Tubular Condenser (.01 mf., 200 v.)	30-4479S					Socket (Pilot Lamp)	38-9825
16	Resistor (4 megs., 1/3 watt)	33-540244					Screw (Chassis Mounting)	W-2176
17	Resistor (250,000 ohms, 1/3 watt)	33-425244					Screw (Cabinet Back)	W-2028
18	Tubular Condenser (.01 mf., 400 v.)	30-4572S					Screw (Cabinet Back)	W-2029
19	Mica Condenser (250 mmf.)	30-1032					Screw (Chassis Mtg.) TH-14	W-2017
20	Resistor (500,000 ohms, 1/3 watt)	33-450244					Screw (Cab. Back Mtg.) TH-14	W-552
21	Resistor (130 ohms, 1/2 watt)	33-113936					Screws (Handle) TH-14	W-2038
22	Tubular Condenser (.02 mf., 400 v.)	30-4518S					Screw (Handle) TH-16	W-2021
23	Output Transformer						Tab (Dial)	27-5482
	(for Speaker 36-1469-1)	32-8047					Tab Kit	40-6445

MISCELLANEOUS PARTS

Cabinet (TH-14)	10375A
Cabinet Back (TH-14)	27-9353
Cabinet (TH-16)	10378A
Cabinet Back	27-4821
Clip (Coil-Mounting)	28-5002
Cable (Power)	L-3199
Dial (TH-16, TH-14)	27-5499